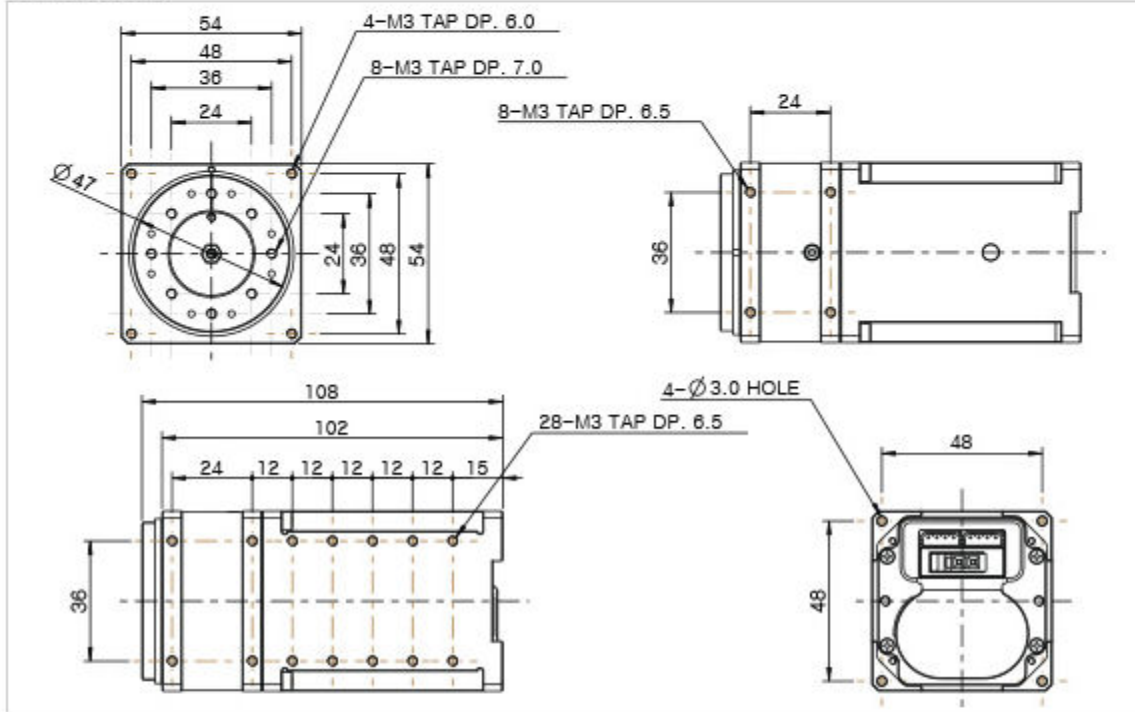


H54-100-S500-R

close

Dimension



Download

[PDF Download](#)

[DWG Download](#)

[STEP Download](#)

[IGES Download](#)

Data

		Unit	H54-100-S500-R
Rated voltage		V	24
No load speed		RPM	35.2
No load current		A	1.06
Standby Current		mA	70
Continuous operation	Speed	RPM	32.7
	Torque	Nm	21.142
	Current	A	5.930
Resolution		Step/turn	502,000
Gear ratio		-	502
Backlash		arcmin	3.5
Interface		-	RS-485 / CAN
Operating temperature		$^{\circ}\text{C}$	5~55

Performance Graph

H54-100-S500-R

